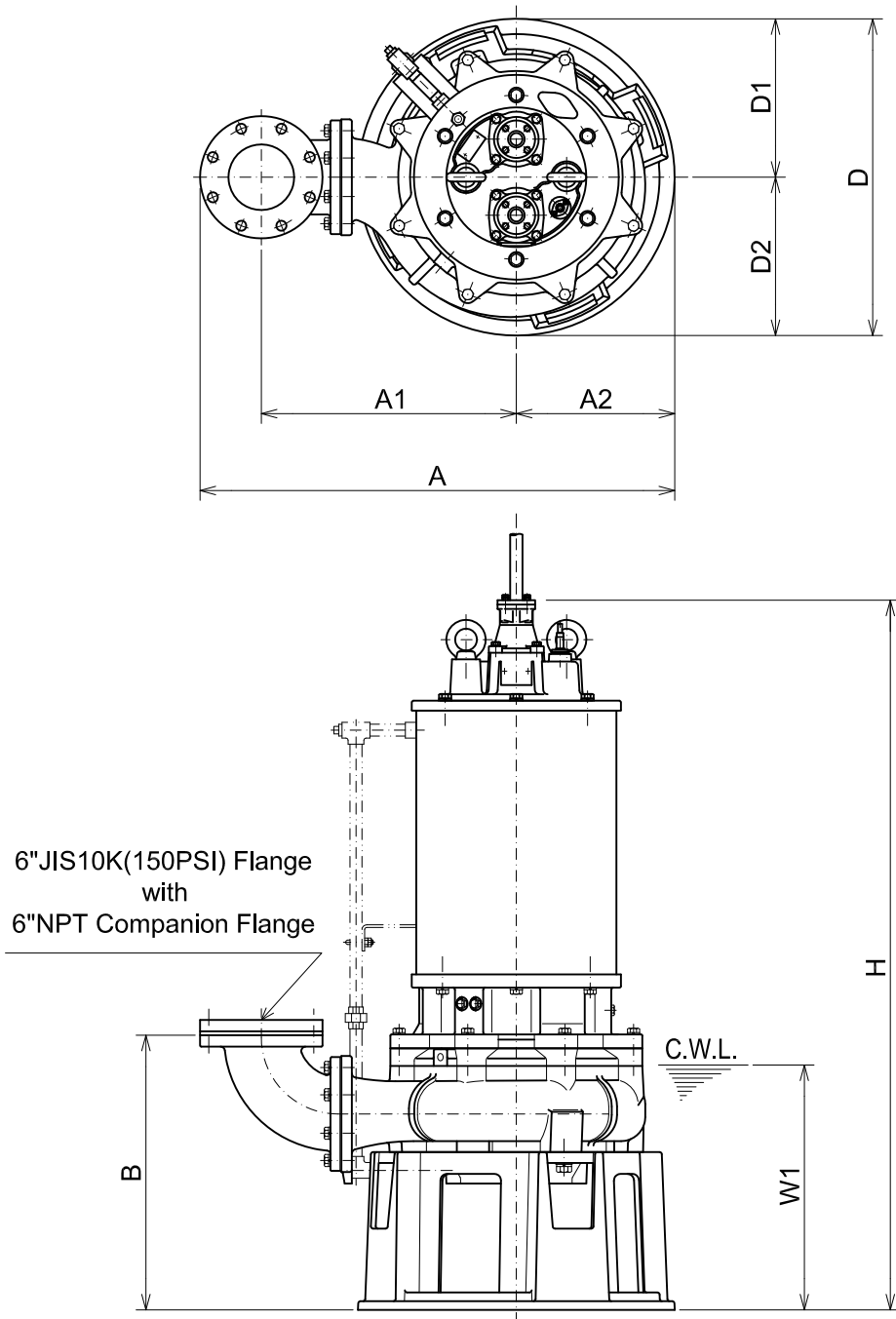




**B-SERIES**  
**SEWAGE & WASTEWATER PUMPS**

**DIMENSIONS**

150BK437 -63



C.W.L. :Continuous running Water Level

**DIMENSIONS:USCS(Inch)**

Model	HP	NOM. SIZE	Pump & Motor								C.W.L.	*Wt.
			A	A1	A2	B	D	D1	D2	H	W1	(lbs.)
150BK437 -63	50	6"	42 11/16	22 15/16	14 1/4	24 3/4	28 1/2	14 1/4	14 1/4	63 11/16	22	1810

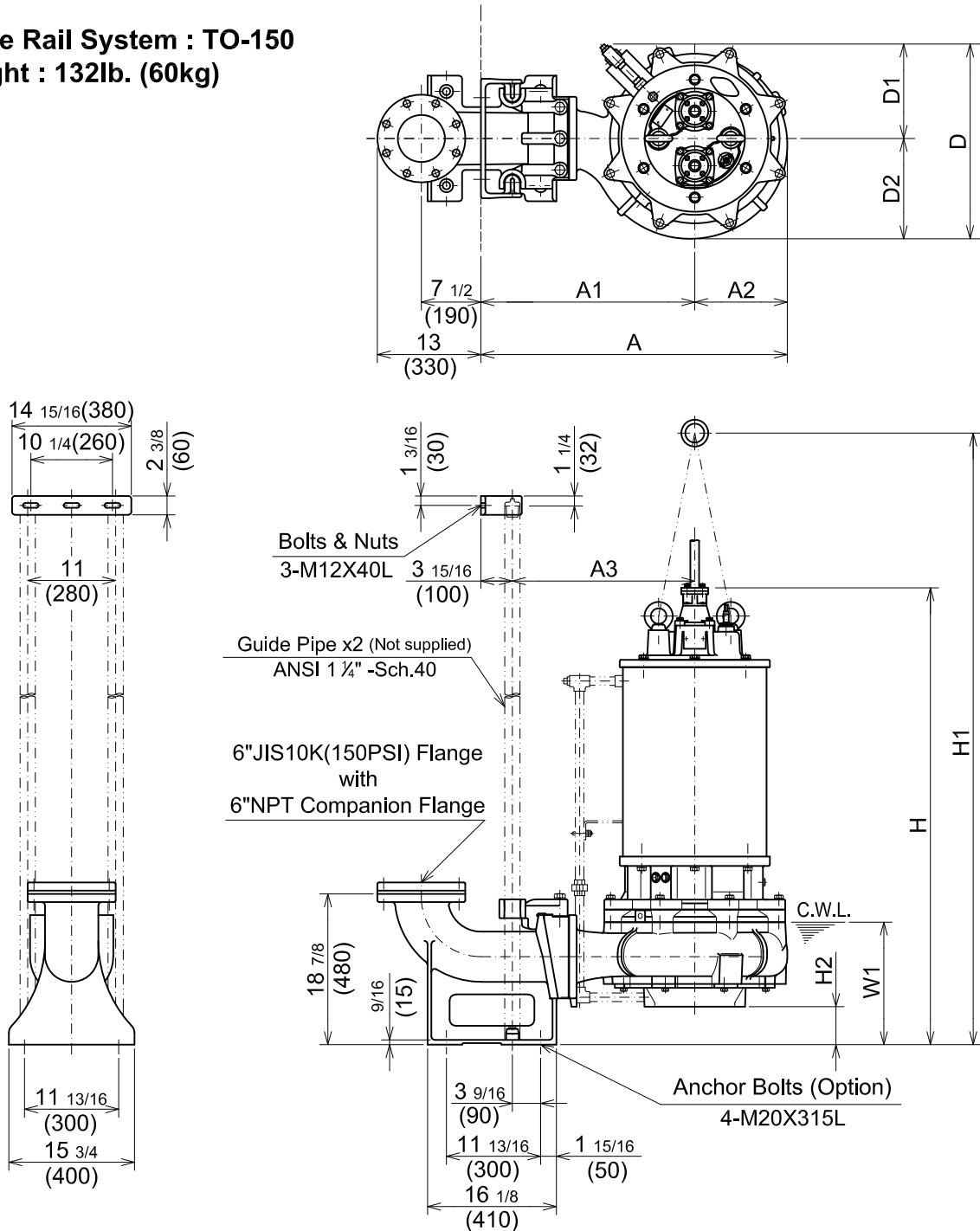
\*Excluding Cable

**DIMENSIONS:METRIC(mm)**

Model	kW	NOM. SIZE	Pump & Motor								C.W.L.	*Wt.
			A	A1	A2	B	D	D1	D2	H	W1	(kg)
150BK437 -63	37	150	1085	583	362	628	724	362	362	1617	560	820

TO150BK437 -63

**Guide Rail System : TO-150**  
**Weight : 132lb. (60kg)**



C.W.L. :Continuous running Water Level

**DIMENSIONS:USCS (Inch)**

Model	HP	NOM. SIZE	Pump & Motor											C.W.L. W1	*Wt. (lbs.)
			A	A1	A2	A3	D	D1	D2	H	H1	H2			
TO150BK437-63	50	6"	38 7/16	26 13/16	11 5/8	22 13/16	24 7/16	11 7/8	12 5/8	57 1/16	76 7/16	4 3/4	15 3/8	1570	

**DIMENSIONS:METRIC (mm)**

Model	kW	NOM. SIZE	Pump & Motor											C.W.L. W1	*Wt. (kg)
			A	A1	A2	A3	D	D1	D2	H	H1	H2			
TO150BK437-63	37	150	976	681	295	580	621	301	320	1449	1942	121	390	710	

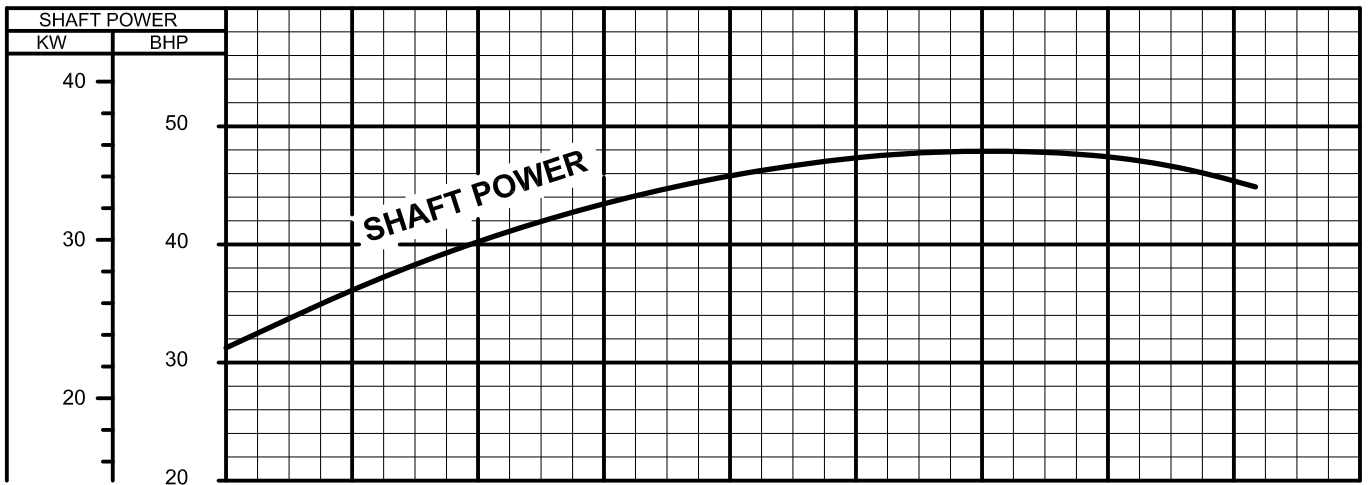
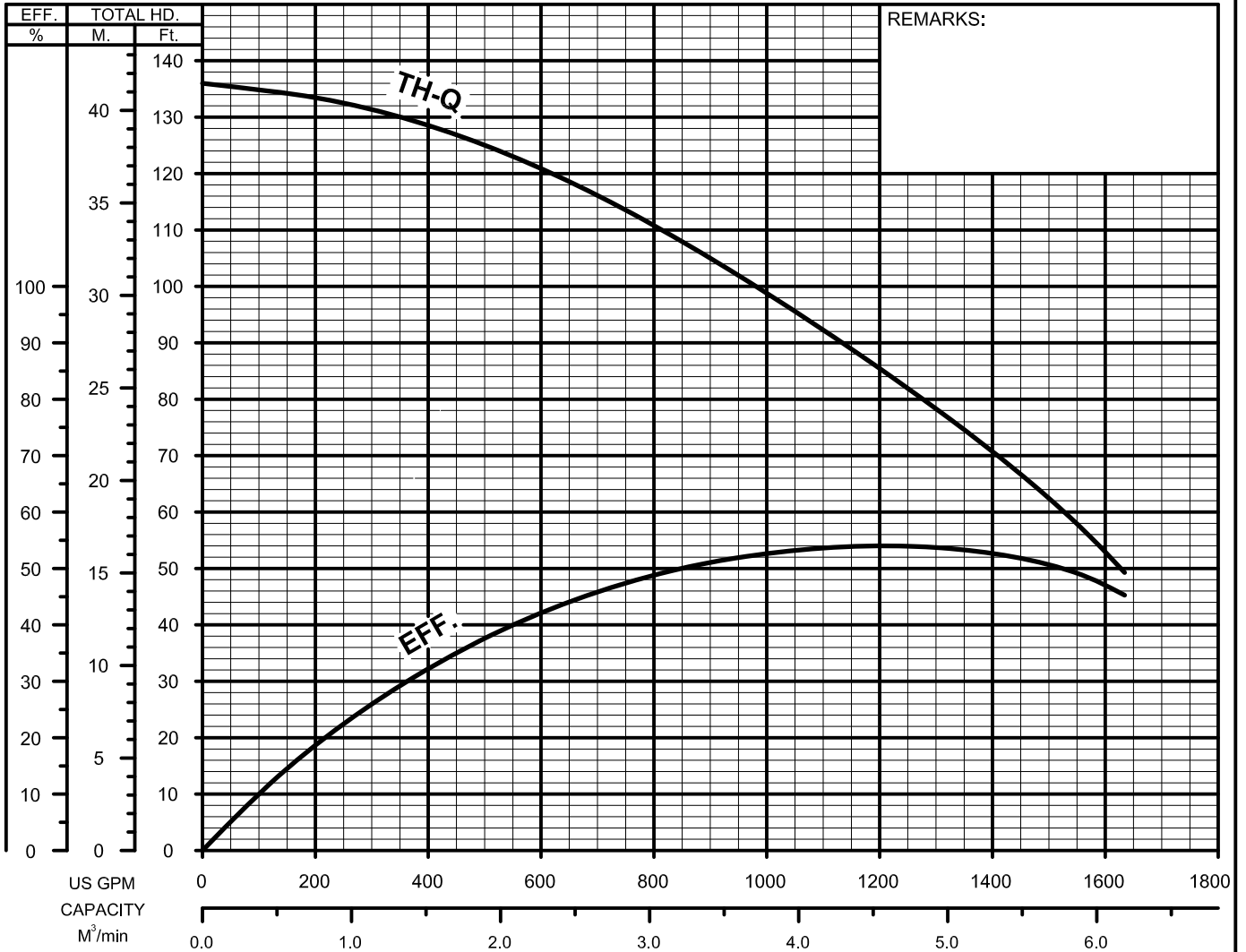
\*Excluding TO & Cable

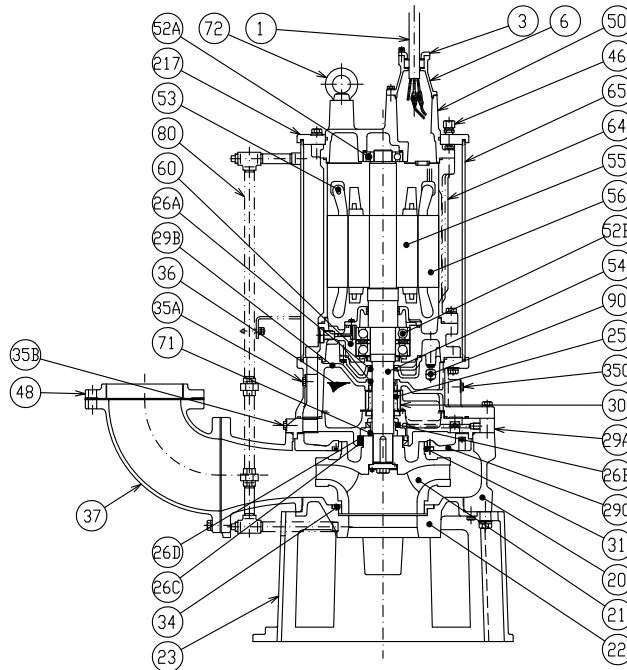


**B-SERIES**  
SEWAGE & WASTEWATER PUMPS

**PERFORMANCE**  
**CURVE**

MODEL	BORE	HP	KW	RPM	SOLIDS DIA.	LIQUID	SG.	VISCOSITY	TEMP.
(TO)150BK437 -63	6"/150mm	50	37	1770	1.57"/40mm	Water	1.0	1.123cSt.	60°F
PUMP TYPE	PHASE	VOLTAGE	AMPERAGE	HZ	STARTING METHOD	INS.CLASS			
Sewage&Wastewater	3	460 / 575	64 / 50	60	Star-Delta	F			
CURVE No.	DATE	PHASE	VOLTAGE	AMPERAGE	HZ	STARTING METHOD	INS.CLASS		
-	-	-	-	-	-	-	-		





**150BK437 -63**  
**200BK437 -63**

PART#	DESCRIPTION	MAIN MATERIAL / NOTE	RELATED ASTM,AISI CODE	RELATED EN CODE	QTY
1	Power Cable	Chloroprene Sheath AWG 4/4-32ft			1
	Power Cable	Chloroprene Sheath AWG 4/3-32ft			1
	Control Cable	Chloroprene Sheath AWG 14/4-32ft			1
3	Gland	Cast Iron	A48M Class30B	EN 1561 GJL-200	2
6	Stuffing Box	Cast Iron	A48M Class30B	EN 1561 GJL-200	2
20	Pump Casing	Cast Iron	A48M Class35B	EN 1561 GJL-250	1
21	Impeller	Cast Iron	A48M Class35B	EN 1561 GJL-250	1
22	Suction Cover	Cast Iron	A48M Class35B	EN 1561 GJL-250	1
23	Suction Strainer	Ductile Cast Iron	A536 80-55-06	EN 1563 GJS-500-7	1
25	Mechanical Seal	Silicon Carbide / H-60			1
26A	Oil Seal	NBR / TC60789			2
26B	Oil Seal	NBR / TC709513			1
26C	Oil Seal	NBR / TC11014014			1
26D	Labyrinth ring	Stainless Steel	S 30400	1.4301	1
29A	Oil Casing	Cast Iron	A48M Class35B	EN 1561 GJL-250	1
29B	Casing Cover	Cast Iron	A48M Class35B	EN 1561 GJL-250	1
29C	Casing Plate	Cast Iron	A48M Class35B	EN 1561 GJL-250	1
30	Oil Lifter	Steel (Cold Rolled )	A109/A1008	EN 10130	1
31	Wear Ring	Cast Iron	A48M Class35B	EN 1561 GJL-250	1
34	Mouth Ring	Cast Iron	A48M Class35B	EN 1561 GJL-250	1
35A	Oil Plug	Stainless Steel	S 30400	1.4301	2
35B	Oil Plug	Stainless Steel	S 30400	1.4301	1
35C	Drain Plug	Stainless Steel	S 30400	1.4301	1
36	Lubricant	Turbine Oil ISO VG32 or SAE 10W-20			
37	Discharge Bend	Cast Iron	A48M Class30B	EN 1561 GJL-200	1
46	Air Release Valve	Stainless Steel	S 30400	1.4301	1
48	Companion / Welded Flange	Cast Iron / 6"NPT Companion or 8" Welded	A48M Class30B	EN 1561 GJL-200	1
50	Motor Bracket	Cast Iron	A48M Class30B	EN 1561 GJL-200	1
52A	Upper Bearing	#6310ZZC3			1
52B	Lower Bearing	#7314BDB			1
53	Motor Protector				3
54	Shaft	Stainless Steel	S 42000	1.4021	1
55	Rotor				1
56	Stator				1
60	Bearing Housing	Cast Iron	A48M Class30B	EN 1561 GJL-200	1
64	Motor Housing	Cast Iron	A48M Class30B	EN 1561 GJL-200	1
65	Outer Cover	Steel Pipe (& Steel)	A53 Type F (& A283 Grade D)	DIN 1615 St 33 (& EN 10025 S275)	1
71	Shaft Sleeve	Stainless Steel	S 30400	1.4301	1
72	Lifting Lug Bolt	Stainless Steel	S 30400	1.4301	2
80	Cooling Pipe Set	Steel	A283 Grade D	EN 10025 S275	1
90	Leak Sensor (Float)				1
217	Fixing Plate	Cast Iron	A48M Class30B	EN 1561 GJL-200	1

PARTS LIST		CONTRACTOR PUMP			3/5/2013	
ITEM	PART No.	DESCRIPTION	QTY	SIZE	MATERIAL	NOTES
1	009-127-14	Terminal	4	R-1.25-4	CU	
2	140-427-17	Hex.Bolt (w/Plain Washer)	2	M5x15	SUS304	
3	003-190-10	Gland	1		SUS316	
4	001-006-55	Cabtyre Cable Set (8m)	1	VCT4Cx1.25mm2	LBTmm2	
5	009-104-15	Solderless Terminal	4	TMVB-1.25	CU	
6	009-117-11	Terminal	7	R-22-6	CU	
7	001-535-15	Cabtyre Cable (Sold per meter)	8	2PNCT4Cx22mm2	((/m)	
8	140-056-11	Hex.Bolt	8	M8x30	SUS304	
9	141-005-18	Hex.Cap Nut	8	M8	SUS304	
10	003-188-15	Gland	2	BG3(30-4P)	FC	
11	005-139-17	Bush Washer	2	d33xd53.5x3t	SUS304	
12	004-111-23	Cable Bush	1	No.6A	SBR	
13	140-076-17	Hex.Bolt	8	M10x30	SUS304	
14	142-164-19	Spring Washer	8	M10	SUS304	
15	006-162-12	Stuffing Box	2	BG3	FC	
16	001-533-13	Cabtyre Cable (Sold per meter)	8	2PNCT3Cx22mm2	((/m)	
17	005-138-16	Bush Washer	2	d29xd53.5x3t	SUS304	
18	004-110-19	Cable Bush	1	No.6	SBR	
19	009-107-18	Terminal	6	R-14-6	CU	
20	143-041-12	Pan Screw	7	M6x8	SWRM	
21	141-004-59	Hex.Nut	7	M6	SWRM	
22	009-117-11	Terminal	7	R-22-6	CU	
23	002-115-18	Heat Shrink Tube (Sold per meter)	m	EVA(d16.5x1t)	((/m)	
24	002-116-19	Heat Shrink Tube (Sold per meter)	m	A4(d19x0.35t)	((/m)	
25	122-132-16	O-Ring	2	G-105(104.4xd3.1)	NBR	
26	143-041-12	Pan Screw	1	M6x8	SWRM	
27	009-107-18	Terminal	2	R-14-6	CU	
28	046-000-03	Air Release Valve	1	PT-1/2	SUS304	
29	217-000-18	Fixing Plate	1		FC	
30	122-359-11	O-Ring	1	445xd5.7	NBR	
31	140-102-13	Hex.Bolt	6	M12x55	SUS304	
32	142-165-10	Spring Washer	6	M12	SUS304	
33	142-000-47	Washer	6	M12(d12.5xd25.5x5t)	SUS304	
34	121-513-12	Packing	6	d11.5xd21x4t	CR	
35	122-353-15	O-Ring	1	310xd5.7	NBR	
36	072-103-23	Eye Bolt	2	M24	SUS304	
37	035-113-18	Air Tightness Test Plug	1	M12x14	SUS304	
38	121-247-12	O-Ring	1	d12.3xd18x2t	PE	
39	140-100-11	Hex.Bolt	6	M12x45	SUS304	
40	142-165-10	Spring Washer	6	M12	SUS304	
41	050-000-75	Motor Bracket	1		FC	
42	122-353-15	O-Ring	1	310xd5.7	NBR	
43	142-000-73	Wave Washer	1	6310(d109xd92x7Hx1.2t)	SK5	
44	052-000-50	Bearing	1	AC-6310ZZC3(MP-1)		

PARTS LIST		CONTRACTOR PUMP			3/5/2013	
ITEM	PART No.	DESCRIPTION	QTY	SIZE	MATERIAL	NOTES
45	016-000-04	Lead Wire Protection Bush	2	d21xd52x11t	SBR	
46	058-000-23	Lead Wire Protection Plate	1	d120xd315x3t	SPCC	
47	055-001-95	Rotor	1Set			
48	147-000-38	Impeller Key	1	16x10x65L	SUS42J2	
49	053-001-67	Motor Protector	3	YS11A135A-D20	(H)	
50	056-005-41	Stator	1Set			
51	064-000-99	Motor Frame	1		FC	
52	142-427-13	Seal Washer	2	WD-12	SPC+NBR	
53	140-000-69	Hex.Bolt	2	M12x25	SS	
54	140-128-15	Hex.Bolt	6	M16x60	SUS304	
55	142-166-11	Spring Washer	6	M16	SUS304	
56	122-308-15	O-Ring	1	320xd5.7	NBR	
57	140-055-78	Hex.Bolt	4	M8x25	SS	
58	142-163-34	Spring Washer	4	M8	SWRH	
59	133-001-19	Bearing Upper Cover	1	WG1-4-37-BG/6-30-BG	FC	
60	121-000-27	Packing	2	4x5.5x274	Felt	
61	052-000-55	Bearing	1Set	7314BDB+KL10		
62	142-247-17	Bearing Washer	1	AW14	SPCC	
63	141-079-13	Bearing Nut	1	AN14	SS	
64	122-149-16	O-Ring	1	G-190(189.3xd5.7)	NBR	
65	060-001-25	Bearing Housing	1		FC	
66	122-265-19	O-Ring	1	335xd5.7	NBR	
67	148-002-16	Grease Nipple	1	A-PT1/8	C3604	
68	122-024-14	O-Ring	1	P-25(24.7xd3.5)	NBR	
69	144-000-47	Grease Plug	1	M25x20	SUS304	
70	090-112-18	Leakage Sensor(Float)	1	OLV-5-2(B)		
71	142-293-18	Seal Washer	1	W-10	SUS304	
72	122-149-16	O-Ring	1	G-190(189.3xd5.7)	NBR	
73	113-000-04	Grease Pan	1	CCKL21BG437/445/630	FC	
74	026-269-12	Oil Seal	1	TC-60789	NBR	
75	140-269-19	Hex.Socket Cap Bolt	4	M8x25	SUS304	
76	065-000-47	Outer Cover	1		SGPSS	
77	144-528-11	U-bolt	1	C-#20-M10	SUS304	
78	141-006-19	Hex.Nut	4	M10	SUS304	
79	122-359-11	O-Ring	1	445xd5.7	NBR	
80	026-269-12	Oil Seal	1	TC-60789	NBR	
81	029-321-12	Casing Cover	1	200/250/300-22-6BG3	FC	
82	122-259-10	O-Ring	1	12xd3	NBR	
83	035-102-30	Oil Plug	1	M12x16(B=21)	SUS304	
84	140-135-15	Hex.Bolt	4	M16x100	SUS304	
85	142-166-11	Spring Washer	4	M16	SUS304	
86	140-129-16	Hex.Bolt	4	M16x65	SUS304	
87	142-166-11	Spring Washer	4	M16	SUS304	
88	121-514-13	O-Ring	6	d15.5xd27x4t	CR	

PARTS LIST		CONTRACTOR PUMP			3/5/2013	
ITEM	PART No.	DESCRIPTION	QTY	SIZE	MATERIAL	NOTES
89	142-000-48	Washer	6	M16(d16.5xd31.5x5t)	SUS304	
90	142-166-11	Spring Washer	6	M16	SUS304	
91	140-129-16	Hex.Bolt	6	M16x65	SUS304	
92	122-259-10	O-Ring	2	12xd3	NBR	
93	035-102-30	Oil Plug	2	M12x16(B=21)	SUS304	
94	025-199-17	Mechanical Seal	1	H-60	SiC	
95	143-028-13	Pan Screw	3	M5x10	SWRM	
96	030-134-10	Oil Lifter	1	H-60	SPCC	
97	122-266-10	O-Ring	1	460xd6	NBR	
98	122-265-19	O-Ring	1	335xd5.7	NBR	
99	122-259-10	O-Ring	1	12xd3	NBR	
100	035-102-30	Drain Plug	1	M12x16(B=21)	SUS304	
101	029-317-28	Oil Casing	1	250-30-4BG3/150-37-4BG3	FC	
102	122-267-11	O-Ring	1	495xd5	NBR	
103	029-326-17	Casing Plate	1	200/250/300-22-6BG3	FC	
104	140-318-14	Hex. Socket Cap Bolt	3	M16x45	SUS304	
105	140-290-19	Hex. Socket Cap Bolt	3	M10x45	SUS304	
106	026-118-15	Oil Seal	1	TC-709513	NBR	
107	071-000-05	Shaft Sleeve	1	BK/BG(22-45KW)	SUS304	
108	034-426-14	Mouth Ring(FC,Wear Ring)	1	d230xd282x25L(P.C.261)	FC	
109	140-233-14	Hex. Socket Cap Bolt	4	M5x12	SUS304	
110	122-137-11	O-Ring	1	G-130(129.4xd3.1)	NBR	
111	026-267-10	Labyrinth Ring	1	d110xd140x13L	SUS304	
112	026-268-11	Oil Seal	1	TC-11014014	NBR	
113	021-000-56	Impeller (60Hz)	1	(TO)150BK437-63	FC	
114	145-035-19	Taper Pin	1	5x10	SUS304	
115	142-000-18	Impeller Fixing Washer	1	M20,d55	SUS304	
116	217-022-19	Fixing Plate	1	d75x3 t M20(B=30)	SUS304	
117	140-232-13	Hex. Socket Cap Bolt	2	M5x10	SUS304	
118	140-148-11	Hex.Bolt	1	M20x50	SUS304	
119	020-950-19	Pump Casing	1	150B437-51/61	FC	
120	122-456-19	O-Ring	1	445xd5	NBR	
121	140-233-14	Hex. Socket Cap Bolt	4	M5x12	SUS304	
122	034-426-14	Mouth Ring(FC)	1	d230xd282x25L(P.C.261)	FC	
123	022-773-12	Suction Cover	1	TO-150/200-37-4BG3	FC	
124	142-165-10	Spring Washer	8	M12	SUS304	
125	140-098-15	Hex.Bolt	8	M12x35	SUS304	
126	142-131-17	Plain Washer	4	M20	SUS304	
127	142-168-13	Spring Washer	4	M20	SUS304	
128	140-149-12	Hex. Bolt	4	M20x55	SUS304	
129	023-000-13	Strainer Stand	1	BK(PC570)	FCD	
130	121-165-28	Packing	1	JIS5Kx150mm	NR	
131	037-119-10	Discharge Bend	1	150x150mm	FC	
	048-238-10	Screwed Flange	1	JIS10Kx150mm	SS400	

PARTS LIST		CONTRACTOR PUMP			3/5/2013	
ITEM	PART No.	DESCRIPTION	QTY	SIZE	MATERIAL	NOTES
	121-108-23	Packing	1	JIS10Kx150mm	NR	
	140-154-36	Hex.Bolt	8	M20x80	SWRM3	
	141-009-12	Hex.Nut	8	M20	SUS304	
	142-168-26	Spring Washer	8	M20	SWRH	
132	142-166-11	Spring Washer	8	M16	SUS304	
133	140-128-15	Hex.Bolt	8	M16x60	SUS304	
		<TO Version>				
		<Packing O-Ring Set>				
	173-002-52	Packing O-Ring Set	1set	(Marked by *)		
25	122-132-16	O-Ring (Stuffing Box)	2	G-105(104.4xd3.1)	NBR	
30	122-359-11	O-Ring (Fixing Plate Bolt/Outer Cover)	1	445xd5.7	NBR	
34	121-513-12	Packing (Fixing Plate Bolt)	6	d11.5xd21x4t	CR	
35	122-353-15	O-Ring (Fixing Plate/M.Bracket)	1	310xd5.7	NBR	
38	121-247-12	Packing (Air Tightness Test Plug)	1	d12.3xd18x2t	PE	
42	122-353-15	O-Ring (M.Bracket/M.Frame)	1	310xd5.7	NBR	
56	122-308-15	O-Ring (M.Frame/Brq.Housing)	1	320xd5.7	NBR	
64	122-149-16	O-Ring (Brq.Upp Cover/Brq.Housing)	1	G-190(189.3xd5.7)	NBR	
66	122-265-19	O-Ring (Brq.Housing/Casing Cover)	1	335xd5.7	NBR	
68	122-024-14	O-Ring (Grease Plug)	1	P-25(24.7xd3.5)	NBR	
72	122-149-16	O-Ring (Brq.Housing/Greese Pan)	1	G-190(189.3xd5.7)	NBR	
79	122-359-11	O-Ring (Out.Cover/Casing Cover)	1	445xd5.7	NBR	
82	122-259-10	O-Ring (Oil Plug)	1	12xd3	NBR	
88	121-514-13	Packing (Casing Cover Bolt)	6	d15.5xd27x4t	CR	
92	122-259-10	O-Ring (Oil Plug)	2	12xd3	NBR	
97	122-266-10	O-Ring (Casing Cover/P.Casing)	1	460xd6	NBR	
98	122-265-19	O-Ring (Casing Cover/P.Casing)	1	335xd5.7	NBR	
99	122-259-10	O-Ring (Drain Plug)	1	12xd3	NBR	
102	122-267-11	O-Ring (O.Casing/P.Casing)	1	495xd5	NBR	
110	122-137-11	O-Ring (Labyrinth Ring)	1	G-130(129.4xd3.1)	NBR	
120	122-456-19	O-Ring (P.Casing/S.Cover)	1	445xd5	NBR	
		Lubricant		Turbine Oil VG32 8,000ml		
		<Cooling Pipe Set>				
	080-000-89	Cooling Pipe Set	1Set		SUS304	



# EXPLODED VIEW

150BK437-53/63

